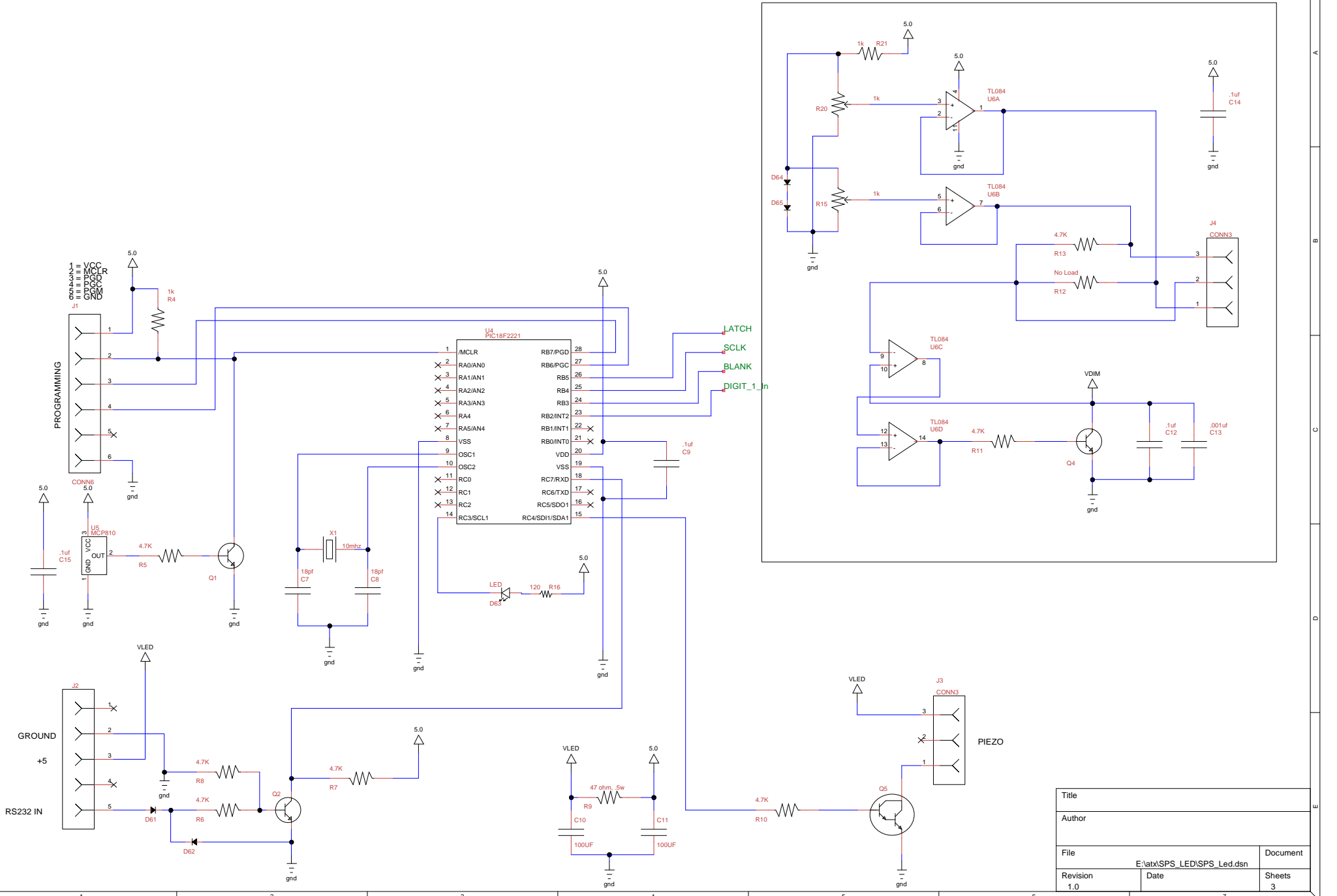
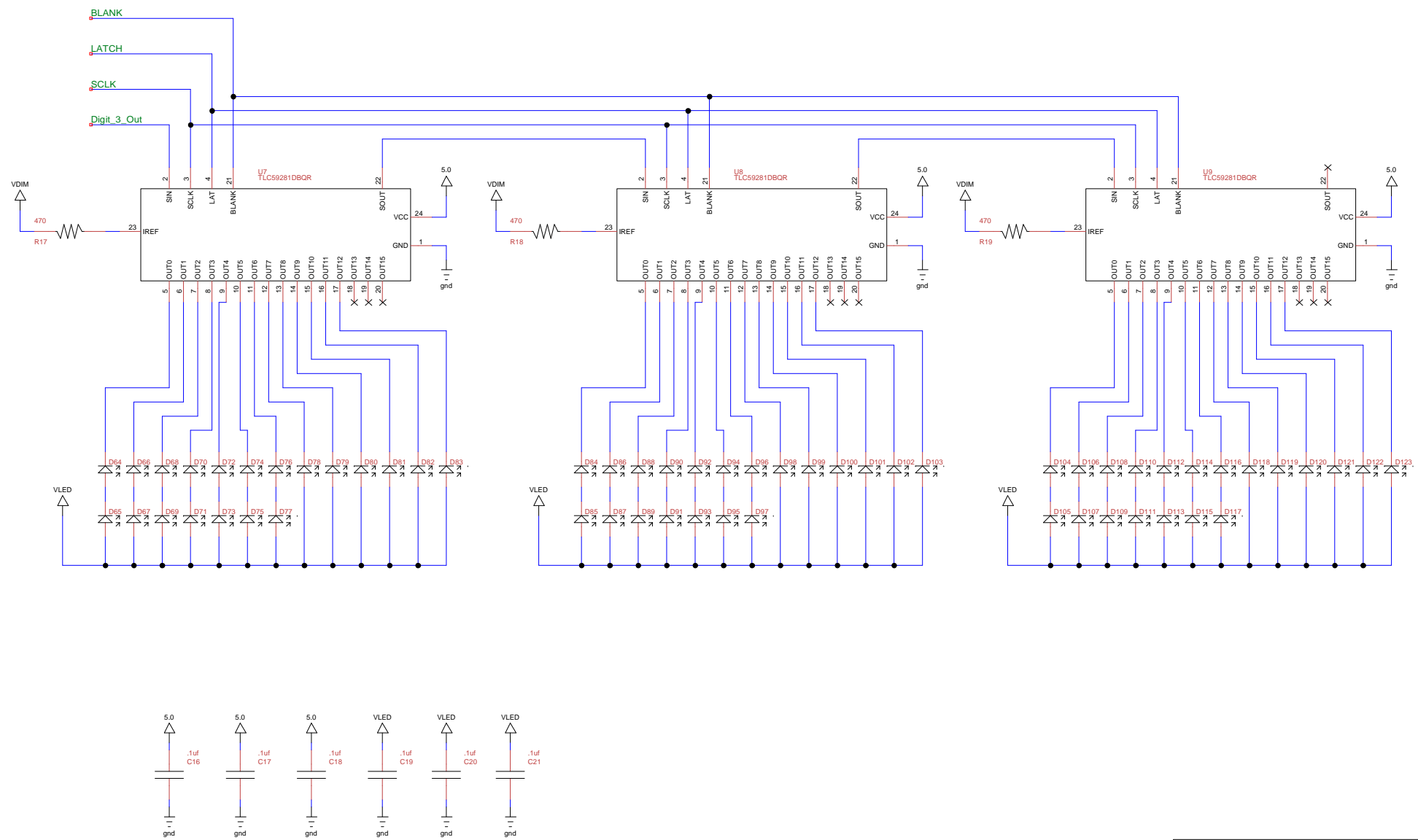


Title		
Author		
File	E:\at\SPS_LED\SPS_Led.dsn	Document
Revision	Date	Sheets
1.0		1 of 1

DIMMER



Title		
Author		
File	E:\atx\SPS_LED\SPS_Led.dsn	Document
Revision	Date	Sheets
1.0		3



Title		
Author		
File	E:\at\SPS_LED\SPS_Led.dsn	Document
Revision	Date	Sheets
1.0		2