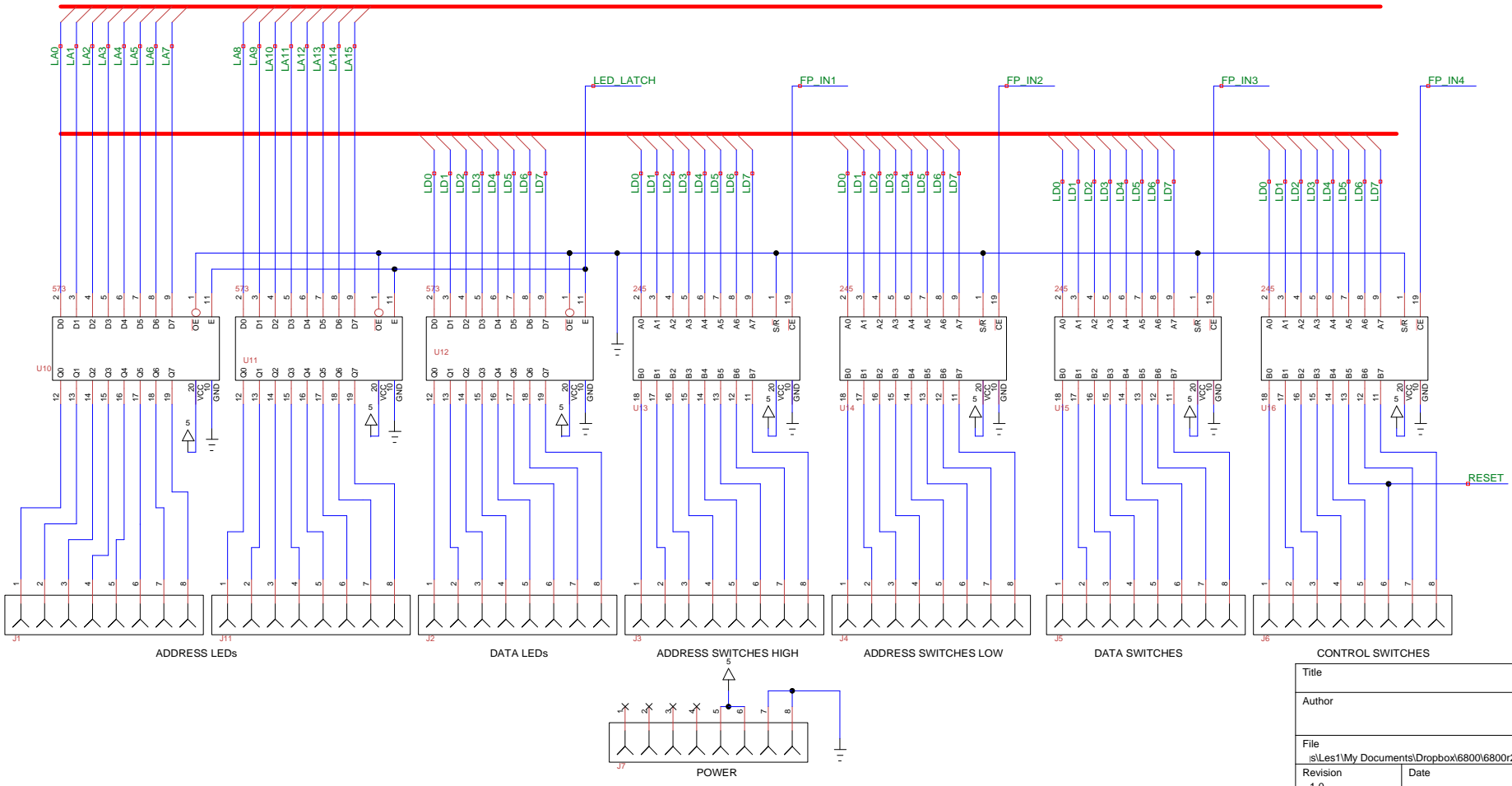
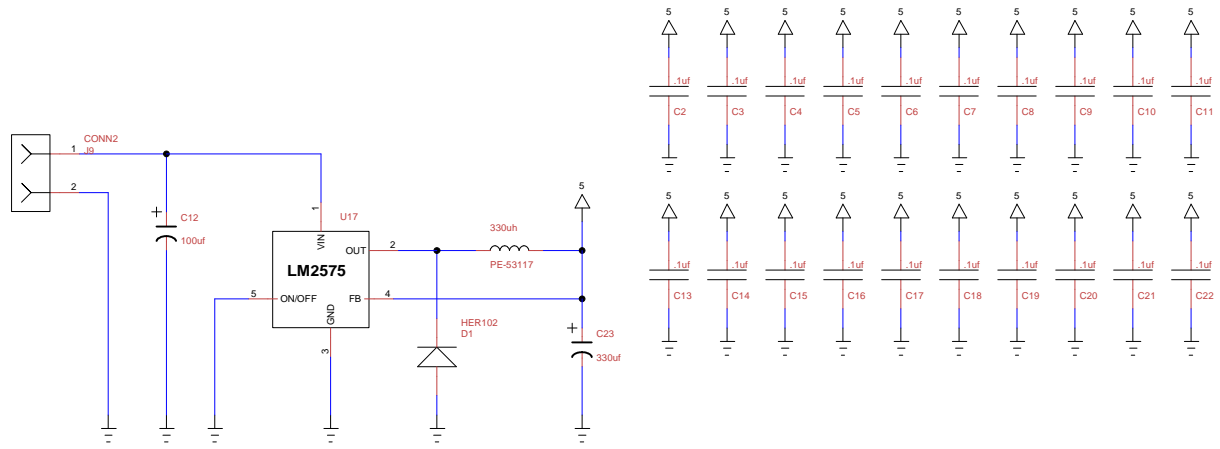
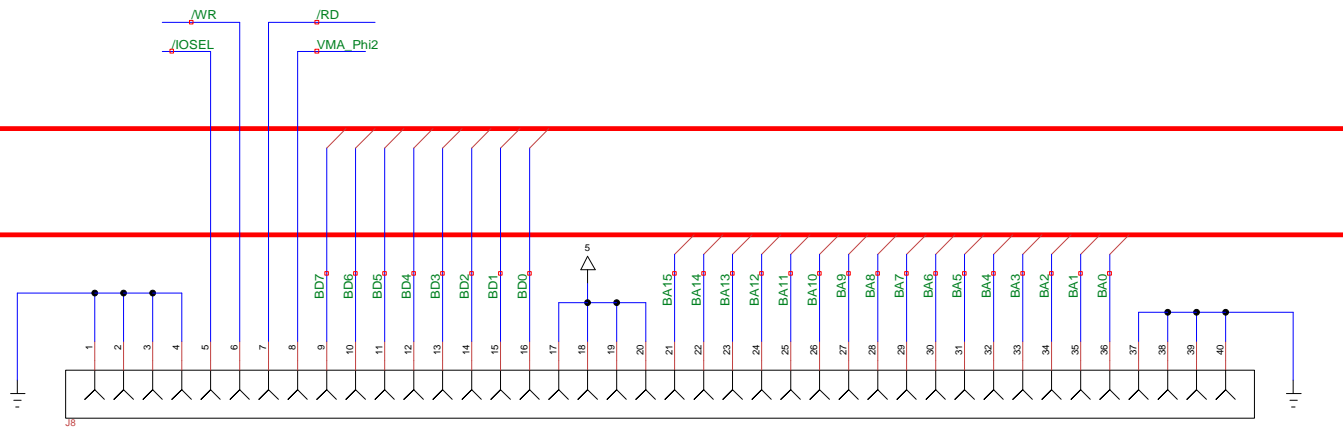


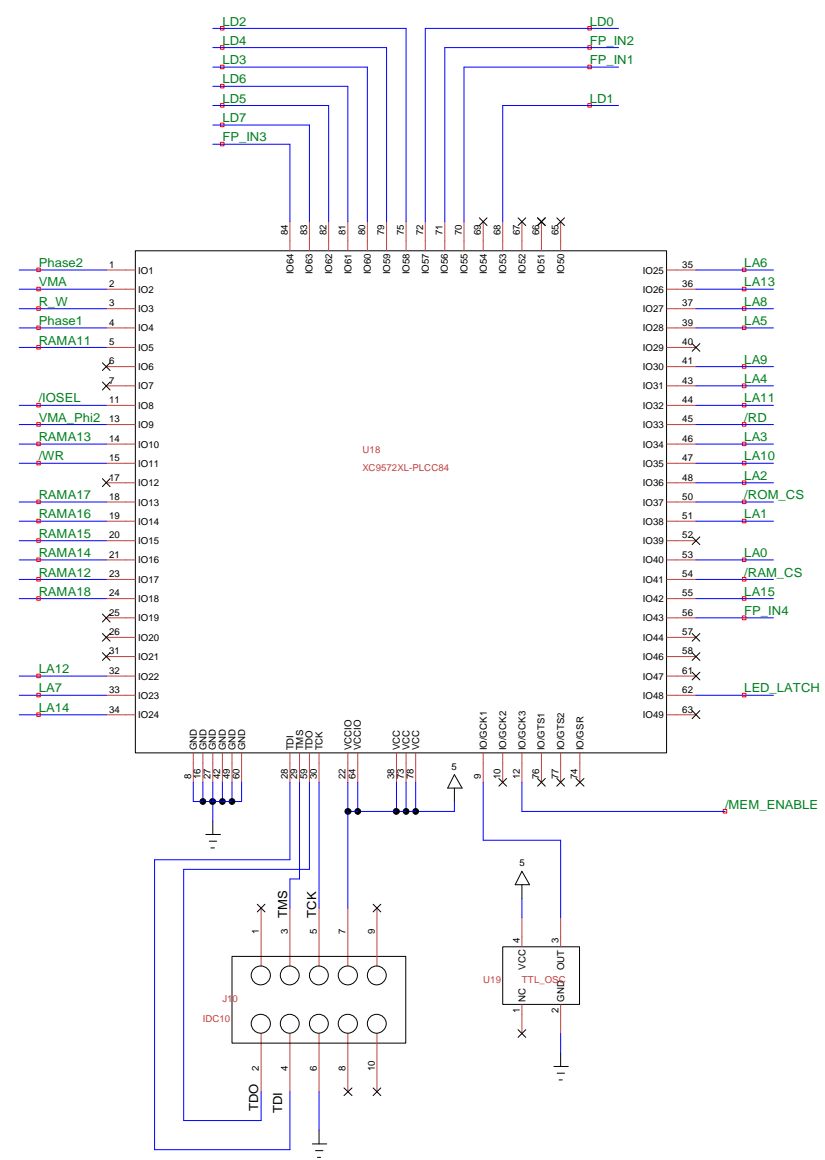
Title	
Author	
File	Document
Revision	Date
1.0	1 of 1



Title	
Author	
File _s\Les1\My Documents\Dropbox\6800\6800r2.dsn	Document
Revision 1.0	Sheets 2
Date	



Title	
Author	
File s:\Les1\My Documents\Dropbox\6800\6800r2.dsn	Document
Revision 1.0	Date Sheets 3



Title	
Author	
File s:\Les1\My Documents\Dropbox\6800\6800r2.dsn	Document
Revision 1.0	Date Sheets 4